

Vacuum Module mod. 1000/1300 mm T-Easy Transversal Technical Data Sheet



STANDARD EQUIPMENT



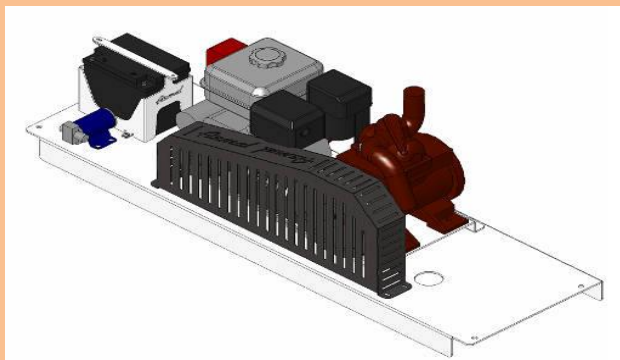
Water pump max capacity: 8 l/min (up to 18 l/m depending on the pump model)
Max pressure: 4 bar (up to 7 bar depending on the pump model)



Maximum Decompressor capacity: 1980 l/min or 2500 l/min (depending on the model)
Maximum Decompressor pressure: 1,5 bar
Maximum Vacuum pressure: -0,89 bar
Lubification OIL decompressor: ISO VG 100
Hoses: pressure max 10 bar



Noise reducer and waste oil filter (optional)



Mechanical and Technical Characteristics:

The T-EASY vacuum modules differ by the fact that instead of a hydraulic system they have a mechanical belt transmission system.

The decompressor is powered by a petrol-fuelled combustion engine (8.5 CV) by means of a belt transmission with centrifugal clutch.

The 12 V AC water pump is electric.

The system is mechanically independent; connected up, the system can be made to function on stand-alone configuration.

Environmental operating conditions:

Operating temperature from 0° C to 40° C.

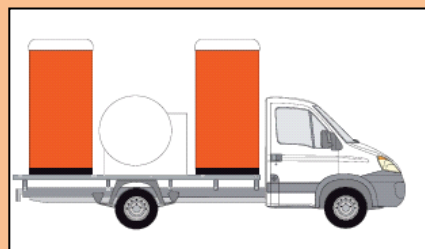
Vacuum Module mod. 1000/1300 mm T-Easy Transversal Technical Data Sheet



STANDARD EQUIPMENT

Manhole allows the tank inspection and internal cleaning

The water tank installed under the wastewater tank to improve stability and weight balance on the truck floor. It is provided with 3 plastic check level eyes.



The transversal type saves room on the truck wheelbase so it allows the transportation of four Armal toilets

Hoses	Mod. 1000 mm	Mod. 1300 mm
Waste suction hoses lenght (No. 1)	9,50 m	12,50 m
Washing hoses lenght with automatic hose reel (No. 1)	10 m	10 m



Auxiliary Engine	Honda mod. GX160
Cylinder capacity	163 cm ³
Power max.	3.6kW @ 3600 rpm 4.8 HP@ 3600 rpm
Torque max.	10.3 Nm @ 2500 rpm 1.05 kgm @ 2500 rpm
Consumption	1.4 l/h @ 3600 rpm
Fuel	Petrol
Ignition	Pull start with self winding (electric optional)
Battery	optional

Vacuum Module mod. 1000/1300 mm T-Easy Transversal Technical Data Sheet

Dimensions	Mod. 1000 mm	Mod. 1300 mm
Tanks capacity	1100 l waste – 430 l water	2000 l waste – 640 l water
Length	1440 mm	1900 mm
Width	2105 mm	2105 mm
Height	1500 mm	1900 mm
Weight	615 kg	795 kg



Vacuum modules are in compliance with EC Markings and supplied with EC conformity declaration

Optionals

The machine may be fitted with systems and special installations according to the Customer's specific needs:

- an odor abatement system composed of an electronic control unit operating an electric pump which vaporizes and emits a scented liquid into the drainage hoses of the decompressor to eliminate or reduce the production of unpleasant odors during the operating phases especially during suction of organic waste.

For further information, contact

ARMAL SRL Unipersonale

Società soggetta a direzione e coordinamento di Ylda spa

Via Fiorentina, 109 - 50052 Certaldo, Florence (Italy)

phone +39 0571 665 305 fax +39 0571 651 260

www.armal.biz - armal@armal.biz

Armal reserves the right to make any product change without prior notice

Vacuum Module mod. 1000/1300 mm T-Easy Transversal Technical Data Sheet - Rev. 0 dd 19-11-2014